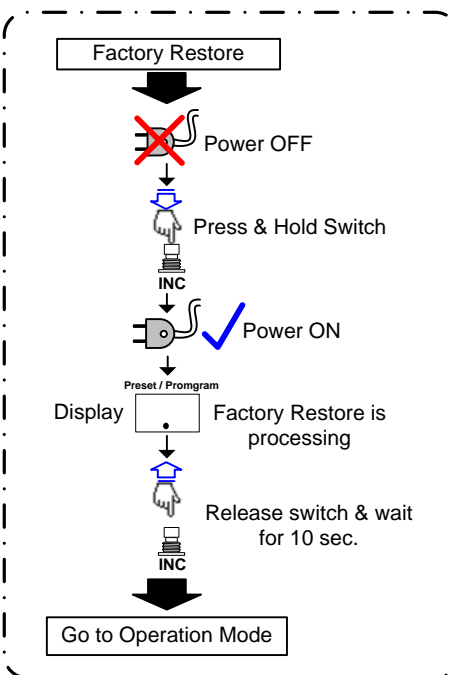
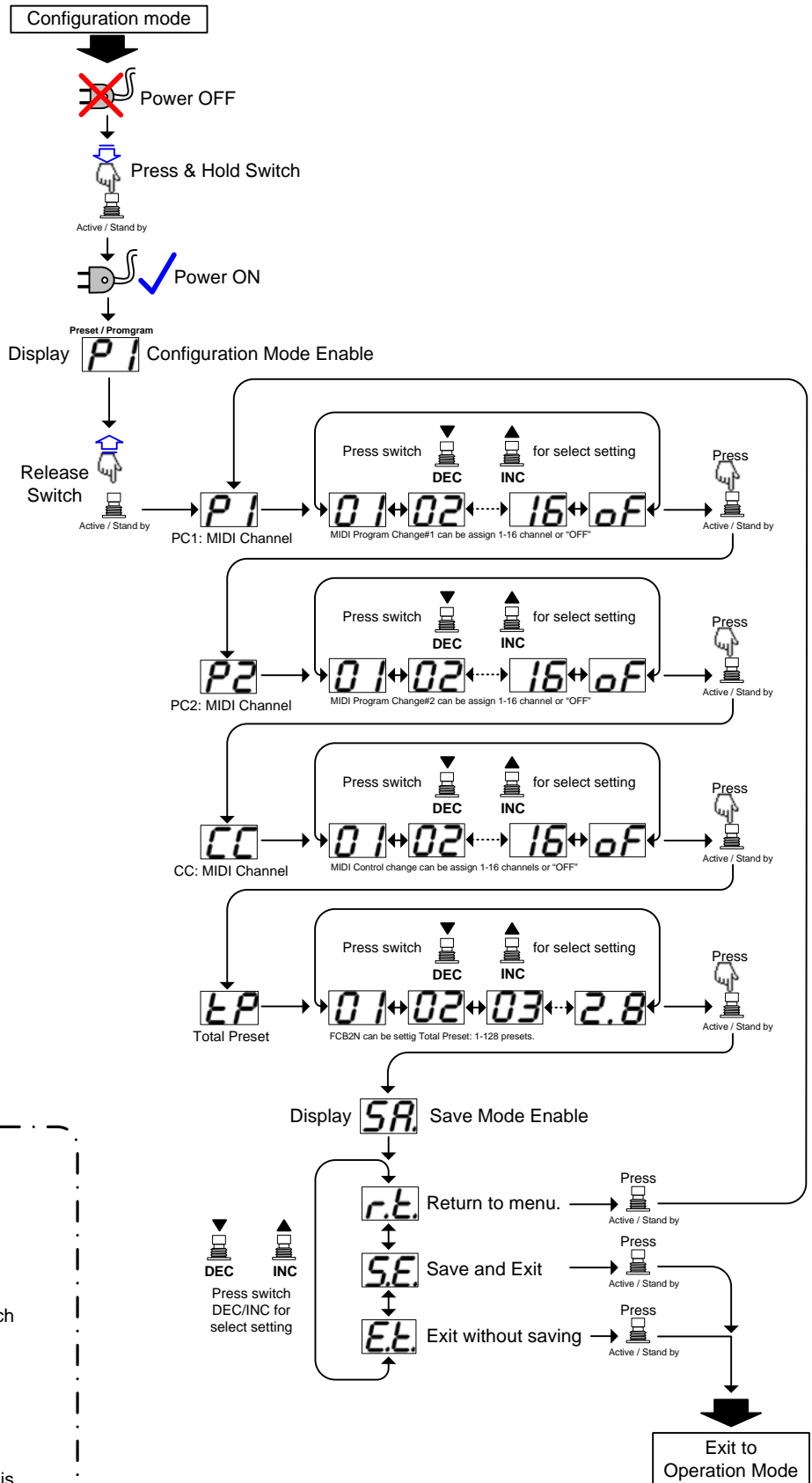


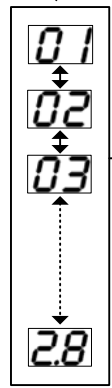
# FCB2N Quick Instruction Guide



Operation mode



Programming each preset by press & hold on **Active/Stand by** switch for 2 sec then the display will be flashing.



DEC INC  
Press switch DEC/INC for select setting

